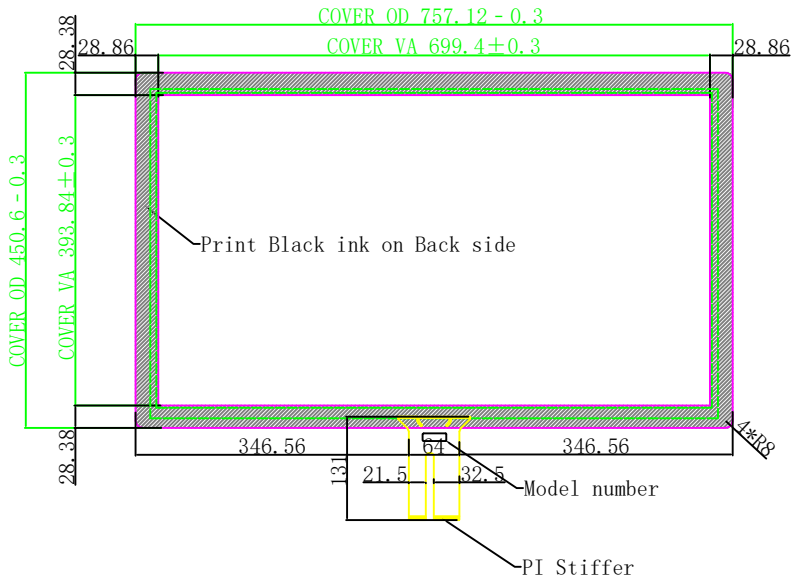
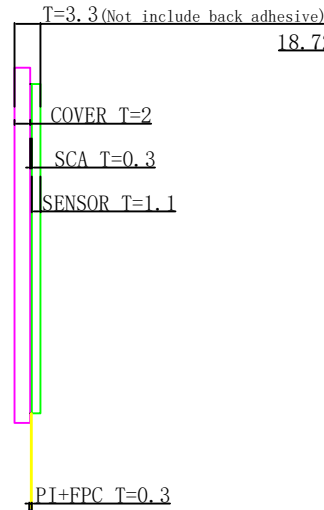


Rev.	Revision Record	制作	日期
A0	首次发行	Y	2022-02-16

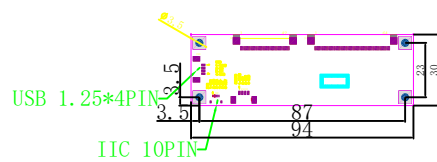
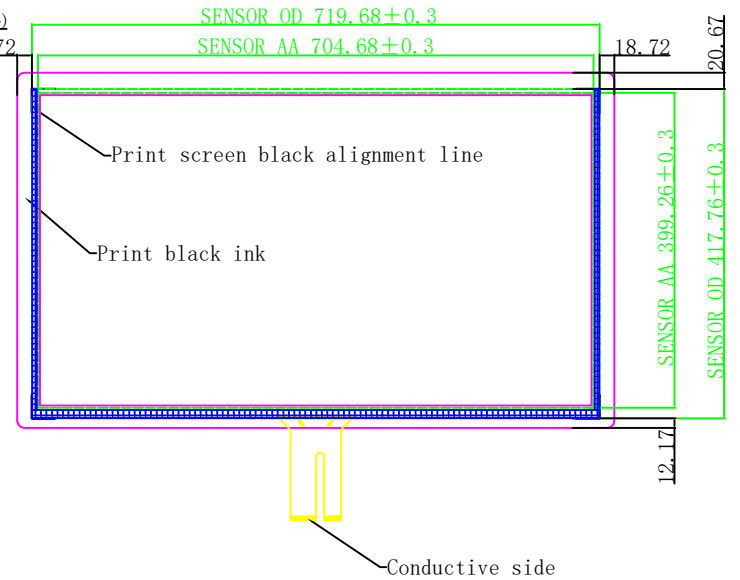
### FRONT



### SIDE



### BACK



- T=5.25 ± 0.5
- PCB T=1.6 ± 0.1
- TP连接器 T=1.8
- 焊接 T=0.15
- USB T=3.5
- IIC T=2

#### Technical Parameters:

1. TP Layer: G+G;
2. TP Type: COB; IC: ILI 2312  
Working Voltage: 5V
3. Transmittance: ≥85%
4. Surface Hardness: 6H or higher
5. Working Environment: -20°C~+70°C, ≤85%RH
6. Storage Environment: -20°C~+70°C, ≤85%RH
7. Unmarked dimensional tolerance ±0.3mm
8. The product complies with RoHS standard.

J1 (USB)	
PIN	DEFINE
1	VDD/5V
2	D-
3	D+
4	GND

### OBEY CO., LIMITED

TITLE: 产品编号	OB320P007-3K-H	www.obeycrop.com		
Designed By: 设计	Y	Customerid: 客户编号		View: 投影方式
Checked By: 审核		Unit: 单位	mm	
Approved By:		Date: 日期	2022.02.16	Scale: 比例
				1:1